

THERMOSTATIC STEAM TRAPS AND AIR VENTS TSW22

DESCRIPTION

The ADCA TSW22 series of balanced pressure thermostatic steam traps and air vents are specifically designed for use on process equipment such as sterilizers and other autoclaves, kettle cookers, food, chemical and laundry equipment. Their compact design makes them ideal when a fully stainless steel steam trap is required for air venting applications and condensate removal in small steam consumers.

MAIN FEATURES

Modulating discharge.
Discharges condensate close to steam temperature.
Thermostats for different sub coolings (5 to 30 °C).
Excellent air discharge.
Operates with moderate superheated steam.
Simple and compact design.

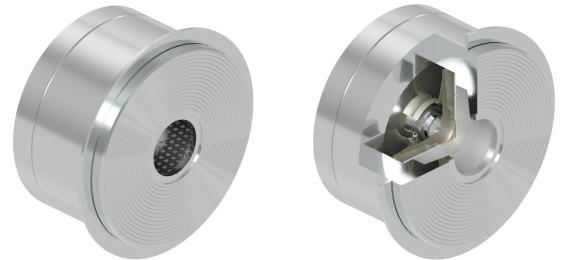
USE: Saturated steam.

AVAILABLE MODELS: TSW22 – stainless steel, wafer design.

SIZES: DN 15 to DN 25.

CONNECTIONS: Sandwiched between flanges as per EN 1092-1 PN 40.

INSTALLATION: In any position.
See IMI – Installation and maintenance instructions.



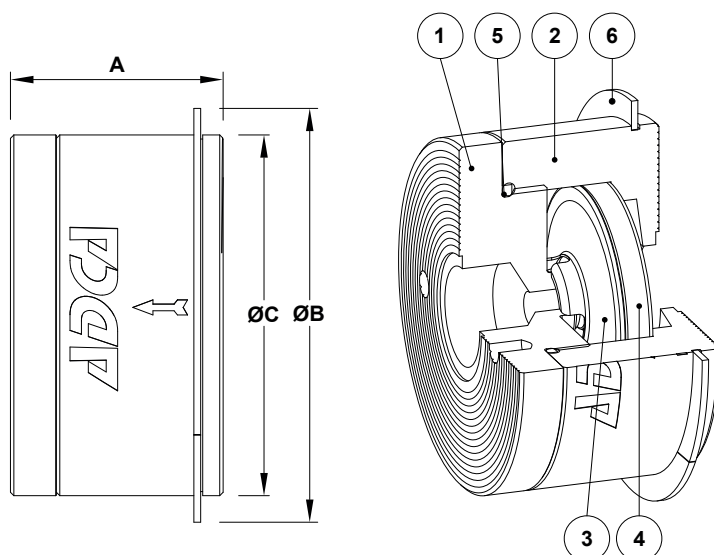
| CE MARKING – GROUP 2 (PED – EUROPEAN DIRECTIVE) | |
|--|----------|
| PN 40 | CATEGORY |
| DN 15 to 25 | SEP |

| BODY LIMITING CONDITIONS | |
|-----------------------------------|------------------------|
| WAFER PN 40 ALLOWABLE PRESSURE | RELATED TEMPERATURE |
| 34,4 bar | 100 °C |
| 30,8 bar | 150 °C |
| 28 bar | 200 °C |
| 26 bar | 250 °C |

PMO – Maximum operating pressure: 22 bar.
TMO – Maximum operating temperature: 250 °C.

| FLOW RATE CAPACITY (kg/h) | | | | | | | | | | | | | | | | |
|---------------------------|-------------|-----------------------------|-----|-----|-----|-----|-----|-----|-----|-----|-----|-----|-----|-----|-----|-----|
| MODEL | SIZE | DIFFERENTIAL PRESSURE (bar) | | | | | | | | | | | | | | |
| | | 0,2 | 0,3 | 0,5 | 1 | 1,5 | 2 | 3 | 4 | 6 | 8 | 10 | 13 | 15 | 20 | 22 |
| TSW22 | DN 15 to 25 | 70 | 120 | 140 | 255 | 330 | 385 | 455 | 510 | 600 | 670 | 700 | 720 | 750 | 775 | 795 |

Capacities shown refer to condensate discharge 10 °C below steam saturation temperature (standard type S thermostat).
Thermostats for 5 °C (type H) and 30 °C (type L) also available. Capacities for cold condensate discharge at 20 °C are two to three times greater.



| DIMENSIONS (mm) | | | | |
|-----------------|------|----|----|-----------|
| SIZE | A | ØB | ØC | WGT. (kg) |
| DN 15 * | 25 | 51 | 43 | 0,3 |
| DN 15 and 20 ** | 31,5 | 61 | 53 | 0,5 |
| DN 25 | 35,5 | 71 | 64 | 0,8 |

* Manufactured on request.

** The centering ring must be removed in order to install between flanges DN 15.

| MATERIALS | | |
|-----------|------------------------|-------------------|
| POS. No. | DESIGNATION | MATERIAL |
| 1 | Body | AISI 304 / 1.4301 |
| 2 | Cover | AISI 304 / 1.4301 |
| 3 | * Thermostatic element | Stainless steel |
| 4 | * Strainer screen | AISI 304 / 1.4301 |
| 5 | * O-ring | EPDM |
| 6 | Centering ring | AISI 304 / 1.4301 |

* Available spare parts.